

English

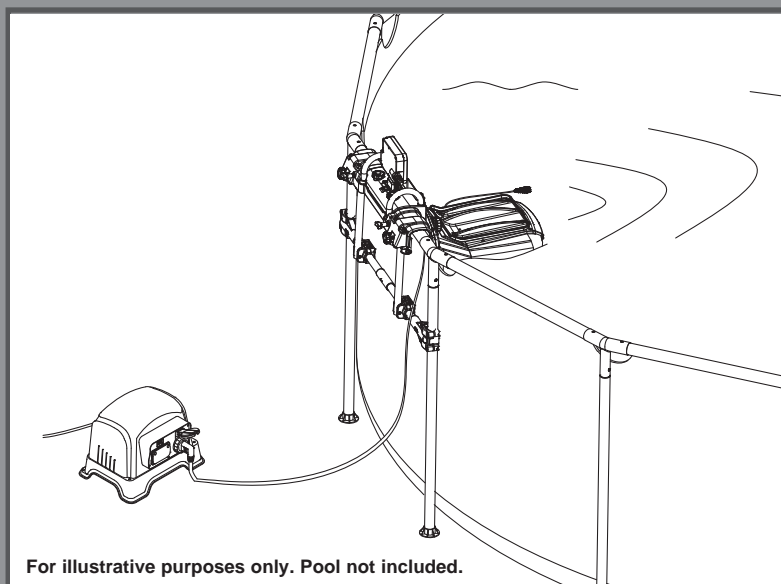
303
PO

IMPORTANT SAFETY RULES

Read, understand, and follow
all instructions carefully before
installing and using this product.

Hydro Flow™ Swim Trainer Model SM24101

110-120V AC / 60Hz



For illustrative purposes only. Pool not included.

Don't forget to try these other fine Intex products: pools, pool accessories, inflatable pools and in-home toys, airbeds and boats available at fine retailers or visit our website.

Due to a policy of continuous product improvement, Intex reserves the right to change specifications and appearance, which may result in updates to the instruction manual without notice.

IMPORTANT! DO NOT RETURN PRODUCT TO STORE

To purchase parts and accessories or to obtain non-technical assistance, Visit

www.intexcorp.com

For technical assistance and missing parts call us toll-free (for U.S. and Canadian Residents):

1-800-234-6839

Monday through Friday, 8:30am to 5:00pm Pacific Time

303-*PO-R0-1702

OWNER'S MANUAL

TABLE OF CONTENTS

Warnings..... 3

Parts Reference..... 4-5

Product Specification..... 6

Setup Instructions..... 6-13

Operating Instructions..... 14-15

Maintenance..... 15

Internal Parts Replacements..... 16-17

Troubleshooting Guide..... 18-19

Limited Warranty..... 20

Operation is subject to the following two conditions: (1) this device may not cause interference, and (2) this device must accept any interference, including interference that may cause undesired operation of the device.

Changes or modifications not expressly approved by the party responsible for compliance could void the user's authority to operate the equipment.

This equipment has been tested and found to comply with the limits for Class B digital device, pursuant to part 15 of the FCC Rules. These limits are designed to provide reasonable protection against harmful interference in a residential installation. This equipment generates, uses and can radiate radio frequency energy and, if not installed and used in accordance with the instructions, may cause harmful interference to radio communications. However, there is no guarantee that interference will not occur in a particular installation. If this equipment does cause harmful interference to radio or television reception, which can be determined by turning the equipment off and on, the user is encouraged to try to correct the interference by one or more of the following measures:

- Reorient or relocate the receiving antenna.
- Increase the separation between the equipment and the receiver.
- Connect the equipment into an outlet on a circuit different from that to which the receiver is connected.
- Consult the dealer or an experienced radio/TV technician for help.

IMPORTANT SAFETY RULES

Read, Understand and Follow All Instructions Carefully Before Installing and Using this Product.

READ AND FOLLOW ALL INSTRUCTIONS

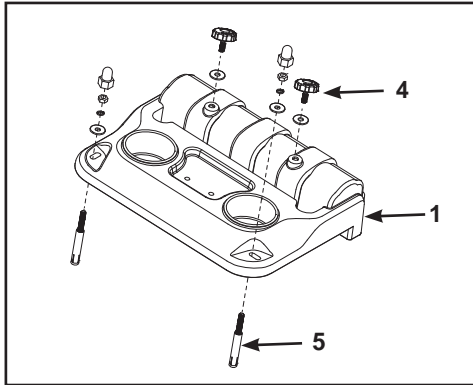
WARNING

- To reduce the risk of injury, do not permit children to use this product. Always supervise children and those with disabilities.
- Children must stay away from this product and electrical cord(s).
- Assembly and disassembly by adults only.
- Cleaning and user maintenance must be performed by adults only who understand the risk of electric shock.
- For domestic pool use only. Not for commercial use.
- Risk of electric shock. If replacement of the plug or cord is needed, use only identical replacement parts.
- Always unplug this product from the electrical outlet before removing, cleaning, servicing or making any adjustment to the product.
- Risk of electric shock. Connect this product only to a grounding type receptacle protected by a ground-fault circuit interrupter (GFCI) or residual current device (RCD). Contact a qualified electrician if you cannot verify that the receptacle is protected by a GFCI/RCD. Use a qualified electrician to install the GFCI/RCD, which has a maximum rate of 30mA. Do not use a portable residual current device (PRCD).
- Do not bury the electrical cord. Locate the cord where it will not be damaged by lawn mowers, hedge trimmers and other equipment.
- To reduce the risk of electric shock, replace damaged cord immediately. Use a qualified electrician to replace the cord.
- To reduce the risk of electric shock, do not use extension cords, timers, plug adaptors or converter plugs to connect unit to electric supply; provide a properly located outlet.
- The appliance is only to be used with the provided transformer.
- Do not attempt to plug in or unplug this product while standing in water or when your hands are wet.
- Do not use an appliance leakage current interrupter (ALCI) in place of a GFCI since the ALCI will not protect people.
- Position the transformer away from the pool, so as to prevent children from climbing on it and accessing the pool.
- Pool covers must be completely removed before using this product.
- People using medications and/or having an adverse medical history should consult a physician before using this product.
- Do not use drugs or alcohol before or during the use of this product.
- Do not use this product when it is snowing, raining, thundering or lightning.
- Do not use this product immediately following strenuous exercise.
- Do not sit, straddle, step or exert pressure on the product as injury could occur.
- Never play or swim near the swim trainer vent holes.
- Keep hair away from the swim trainer vent holes. Your hair may be trapped causing permanent injury or drowning. Wear a swim cap.
- Do not obstruct the swim trainer vent holes.
- This product is intended to be used only for the purposes described in the manual!

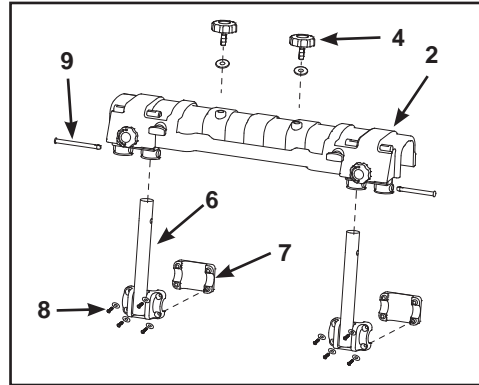
FAILURE TO FOLLOW THESE WARNINGS MAY RESULT IN PROPERTY DAMAGE, ELECTRIC SHOCK, ENTANGLEMENT OR OTHER SERIOUS INJURY OR DEATH.

PARTS REFERENCE

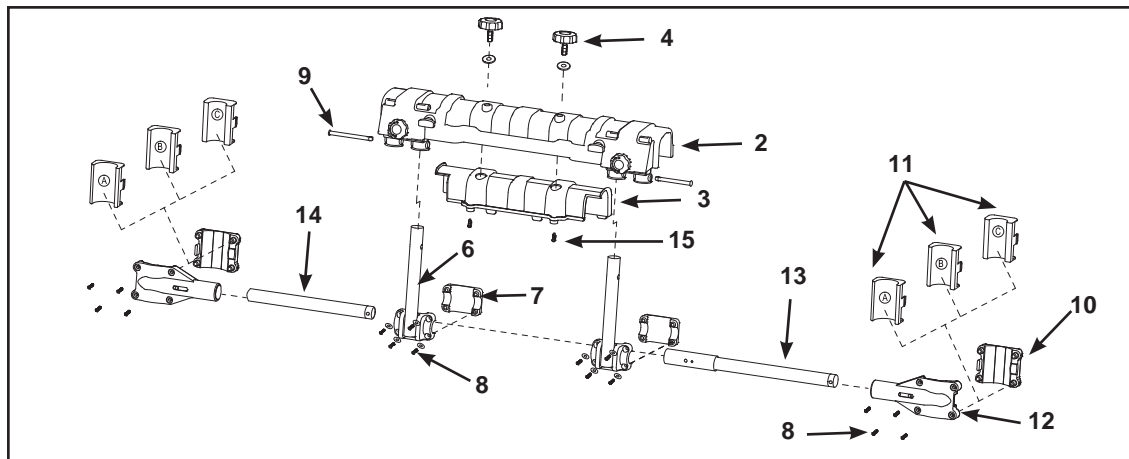
Before assembling your product, please take a few minutes to check the contents and become familiar with all the parts.



In Ground Pool Mounting Bracket



Intex Rectangular Frame Pool Mounting Bracket



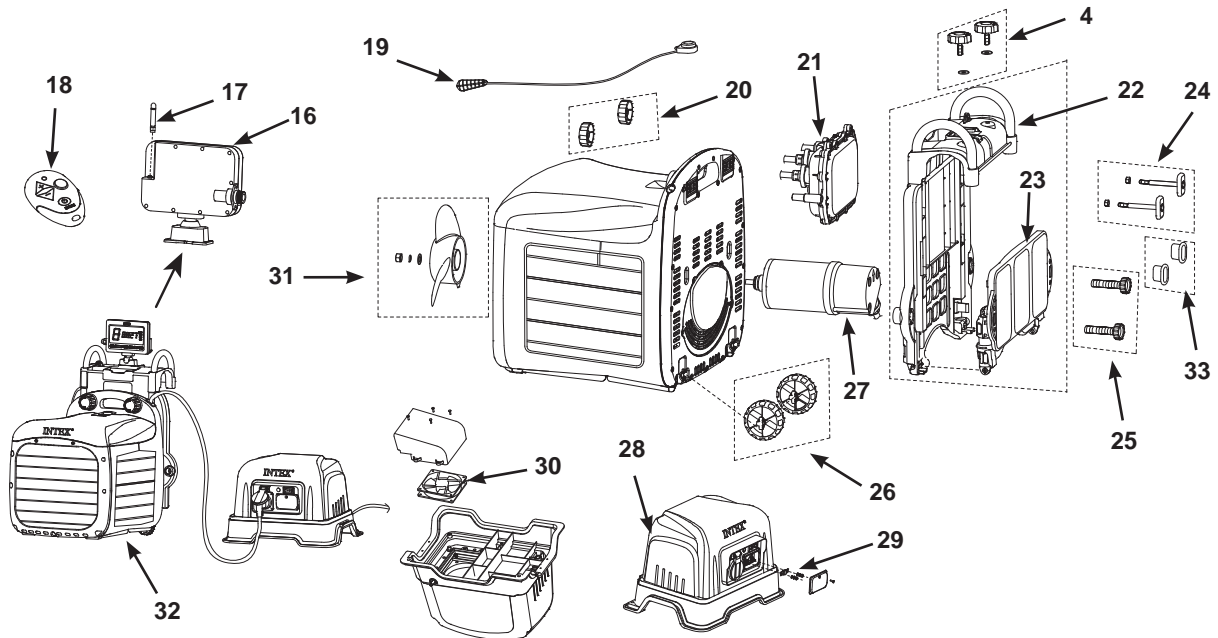
Intex Round Frame Pool Mounting Bracket.

NOTE: Drawings for illustration purpose only. Actual product may vary. Not to scale.

REF. NO.	DESCRIPTION	QTY.	IGP	Intex Rectangular	Intex Round Frame
			POOL	Frame Pool	Pool
SPARE PART NO.					
1	Mounting Bracket	1	12591	-	-
2		1	-	12592	12592
3	Bracket space filler	1	-	12593	12593
4	Mounting bracket screw	2	12396	12396	12396
5	Anchor screws	2	12407	-	-
6	Bracket pole	2	-	12594	12594
7	Bracket pole fixer	2	-	12595	12595
8	Screws	16	-	12598	12598
9	Pin	2	-	12406	12406
10	Horizontal pipe lugs	2	-	-	12597
11	A/B/C gap filler set	2	-	-	12405
12	Horizontal pipe fixer	2	-	-	12596
13	Horizontal pipe A	1	-	-	12403
14	Horizontal pipe B	1	-	-	12402
15	screws	4	-	12599	12599

PARTS REFERENCE (continued)

Before assembling your product, please take a few minutes to check the contents and become familiar with all the parts.



REF. NO.	DESCRIPTION	QTY.	IGP	Intex Rectangular	Intex Round Frame
			POOL	Frame Pool	Pool
SPARE PART NO.					
16	Display panel	1	12379	12379	12379
17	Display panel antenna	1	12391	12391	12391
18	Remote control	1	12381	12381	12381
19	Emergency stop lanyard	1	12374	12374	12374
20	Clamp knob	2	12395	12395	12395
21	Circuitry box	1	12387	12387	12387
22	Support bracket	1	12398	12398	12398
23	Support plate	1	12399	12399	12399
24	Adjustable bolt with nut	2	12397	12397	12397
25	Anchor adjustable bolt	2	12390	-	12390
26	Wheels	2	12389	12389	12389
27	Motor	1	12383	12383	12383
28	Transformer	1	12377	12377	12377
29	Transformer fuse	1	12394	12394	12394
30	Transformer fan	1	12393	12393	12393
31	Propeller kit	1	12385	12385	12385
32	Swim-trainer unit	1	12375	12375	12375
33	Adjustable bolt spacer	2	12600	12600	12600

PRODUCT SPECIFICATIONS

Model:	SM24101
Voltage:	Transformer input 110-120V AC / 60Hz 8A Transformer output 24V DC 35A
Suitable for:	In ground pool or Intex above ground metal frame pools
Pool water temperature range:	25°C - 35°C

Speed Setting*	1	2	3	4	5	6	7	8
m/s	0.66	0.77	0.83	0.94	0.98	1.06	1.16	1.21
ft/s	2.17	2.53	2.72	3.08	3.22	3.48	3.81	3.97

* Approximate

This device generates a constant flow of pool water that allows the user to swim uninterrupted in the swimming pool.

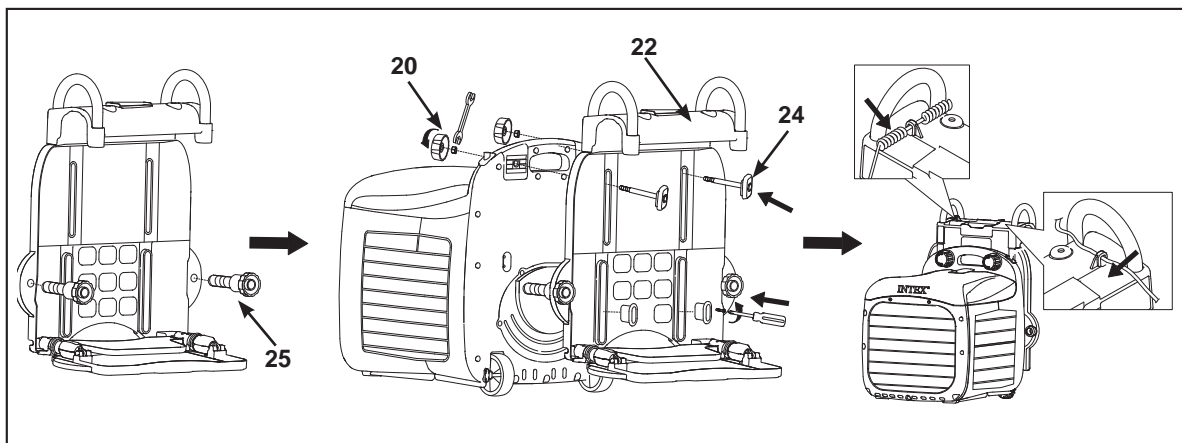
SETUP INSTRUCTIONS

- Pool must be filled with water prior to installation. Two adults required.
- **Tools required:** one Philip screwdriver, one flat screwdriver and one small adjustable wrench.
- Pool size requirements:
Pool water depth: 100cm (39 inch) minimum.
Pool length: 4.6m (15') minimum.
Pool width: 2.5m (8.2') minimum.

Transformer Location Requirement

1. The transformer must be installed on a solid level and vibration-free area.
2. Provide a location protected from the weather, moisture, rain, splashing water, flooding and freezing temperature.
3. Provide adequate access, space and lighting for routine maintenance.
4. The transformer requires free circulation of air for cooling.

Swim-Trainer Unit and Support Bracket Assembly, for all type of pools.



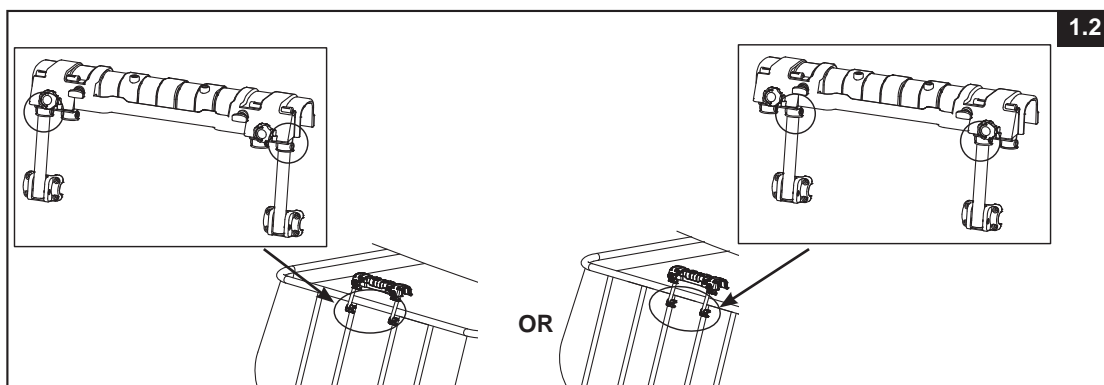
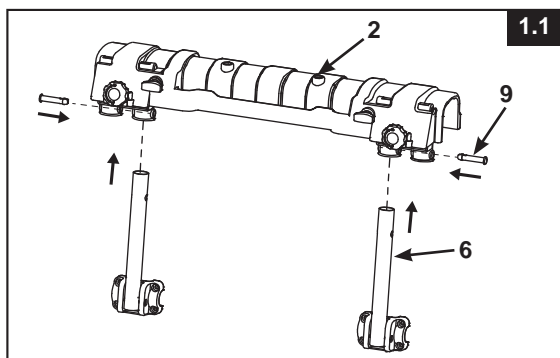
NOTE: Make sure the pool wall is able to support a load of 25 kg (55 Lbs) or more before installation.

SETUP INSTRUCTIONS (continued)

Pool Mounting Bracket Assembly

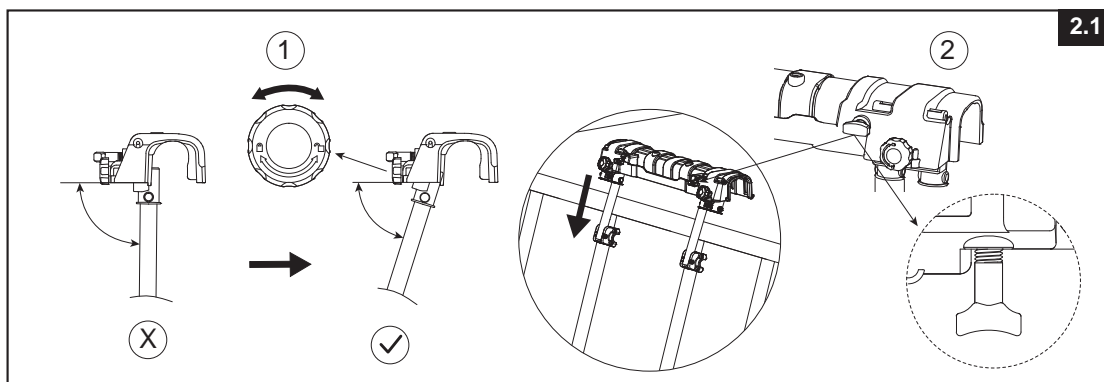
A: For Intex Rectangular Frame Pools

1. Mounting Bracket Assembly (see figures 1.1 to 1.2):



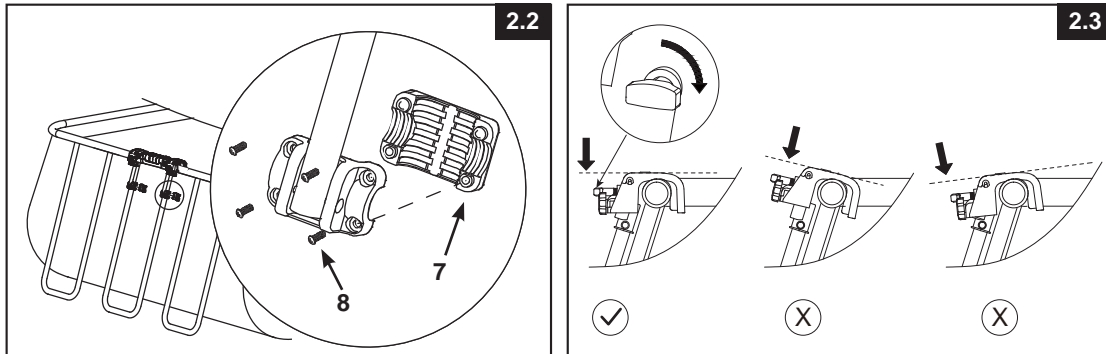
NOTE: Center the swim-trainer unit on the short-end side of the pool.

2. Installing the mounting bracket assembly onto a rectangular frame pool wall (see figures 2.1 to 2.3)



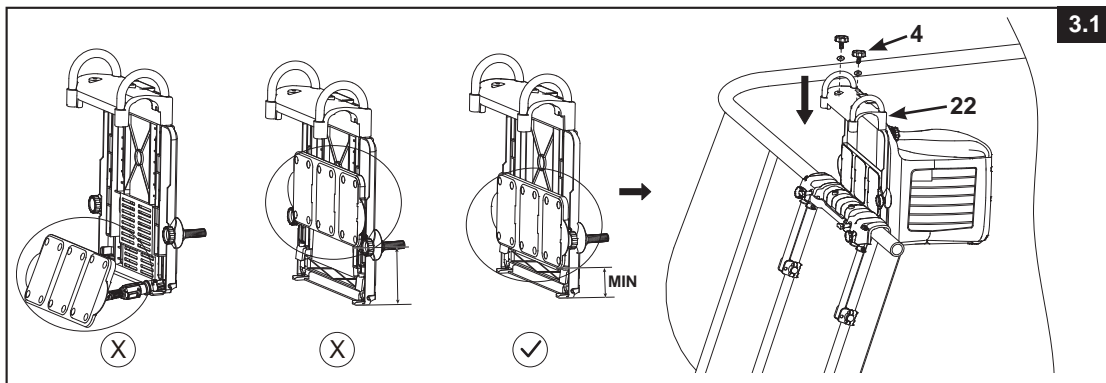
SETUP INSTRUCTIONS (continued)

- Lock the bracket poles and mounting bracket assembly onto the U-shaped side support with the bracket pole fixer (7) and screws (8). (see figure 2.2).
NOTE: Make sure all the screws are securely tightened and the mounting bracket top surface is level.

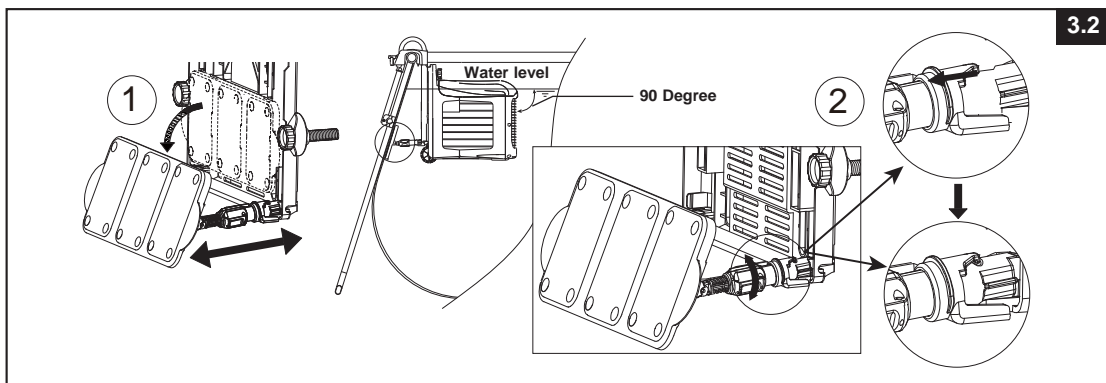


3. Swim-Trainer Unit Assembly (see figures 3.1 to 3.2).

- Be sure the swim-trainer unit “support bracket” is closed before installing the swim-trainer unit onto the mounting bracket assembly (see figure 3.1).



- Extend the support plate, and adjust the depth by loosening the arm collar and extending the support plate arm until the swim-trainer unit is perfectly horizontal, retighten to lock it in place. **NOTE:** The support plate must rest against the inside of the pool wall surface. (see figure 3.2).

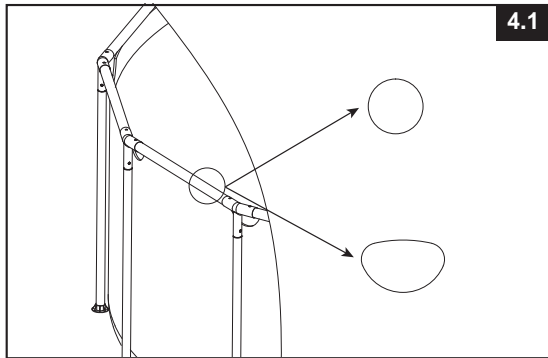


SETUP INSTRUCTIONS (continued)

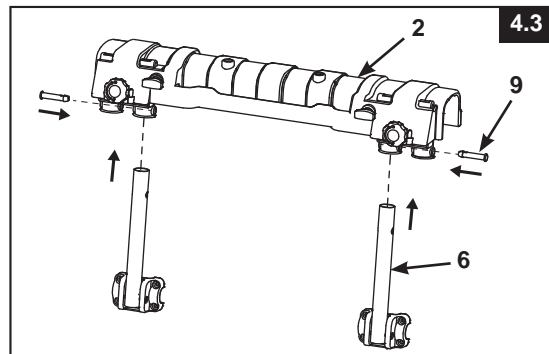
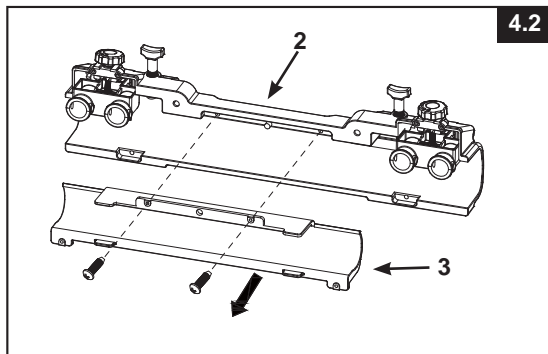
B: For Intex Round Frame Pools

1. Mounting Bracket Assembly (see figures 4.1 to 4.5):

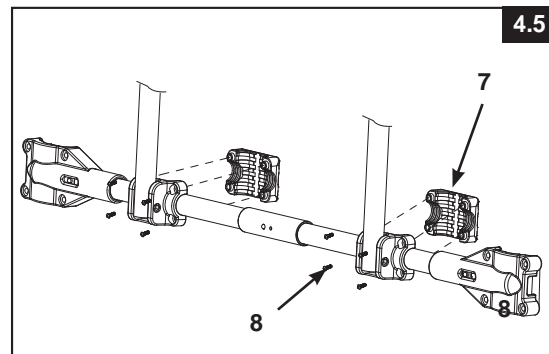
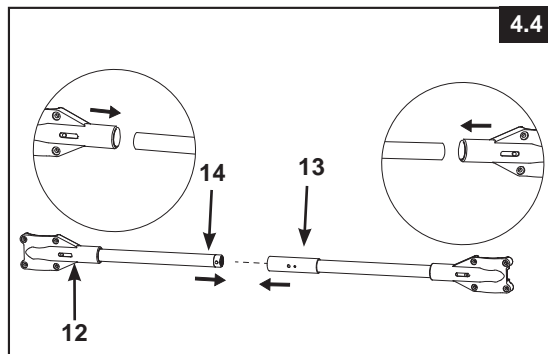
- Identify the frame pool pipe shape. For “○” shape pipe see figure 4.2 to 4.5.
For “O” shape pipe see figure 4.3 to 4.5.



- For “○” shape pipe, remove the bracket space filler (3) from the mounting bracket (2). (see figure 4.2). For “O” shape pipe go to next step.
- Insert the bracket poles (6) into the mounting bracket (2) inner holes (see figure 4.3).

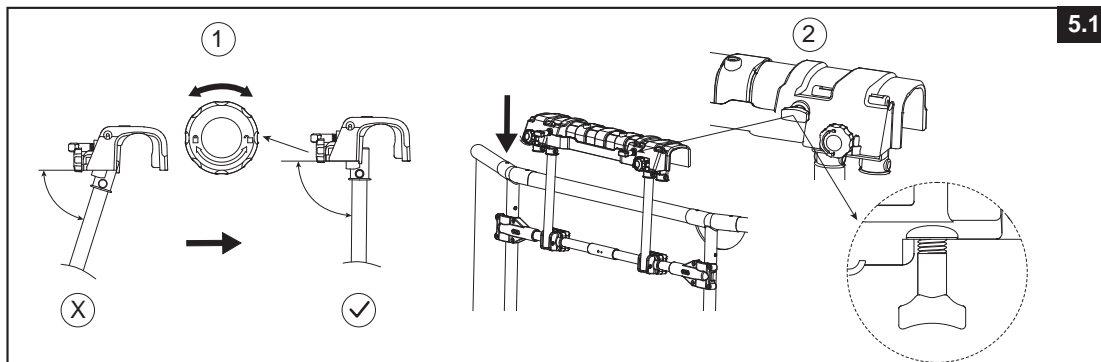


- Connect the horizontal pipe A (13) with horizontal pipe B (14) together, then attach the horizontal pipe assembly to the mounting bracket assembly using the bracket pole fixer (7) and screws (8) (see figures 4.4 to 4.5).



SETUP INSTRUCTIONS (continued)

2. Installing the mounting bracket assembly onto a round frame pool wall (see figures 5.1 to 5.3):



- Attach the mounting bracket assembly onto the frame pool vertical legs with the horizontal pipe lugs (10), screws (8), and depending on the shape of the vertical leg pipe include A/B/C gap filler (11) (see figure 5.2).

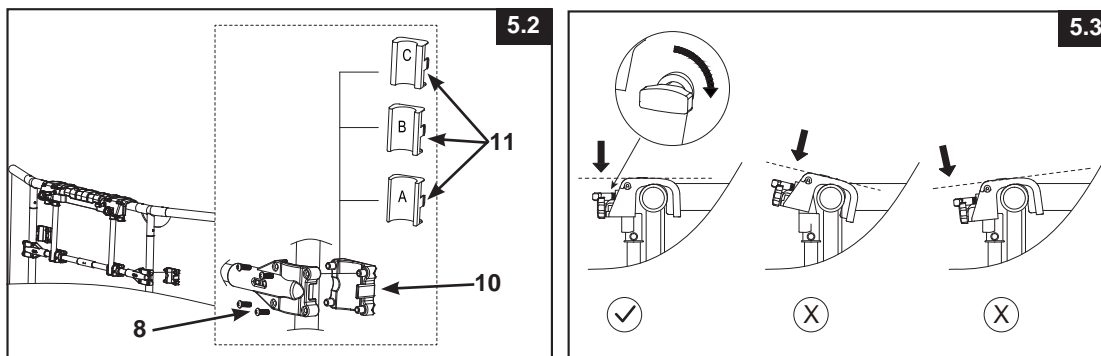
For “○” shape vertical leg pipe, do not include the A/B/C gap filler (11).

For 38mm diameter vertical leg pipe include “A” gap filler.

For 44mm diameter vertical leg pipe include “B” gap filler.

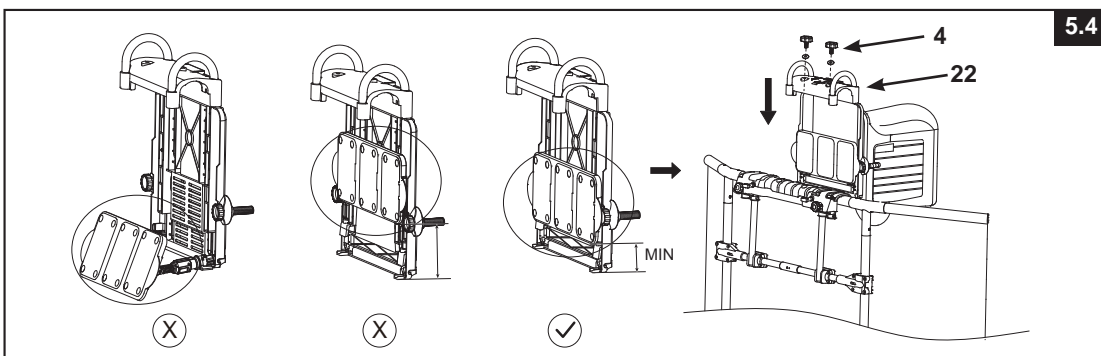
For 48mm diameter vertical leg pipe include “C” gap filler.

NOTE: Make sure all the screws are securely tightened and the mounting bracket top surface is level.



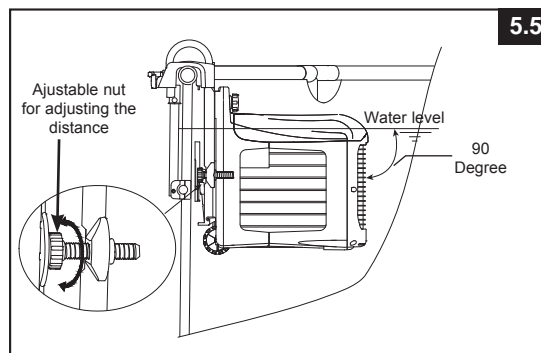
3. Swim-Trainer Unit Assembly (see figures 5.4 to 5.5).

- Be sure the swim-trainer unit “support bracket” is closed before installing the swim-trainer unit onto the mounting bracket assembly (see figure 5.4).



SETUP INSTRUCTIONS (continued)

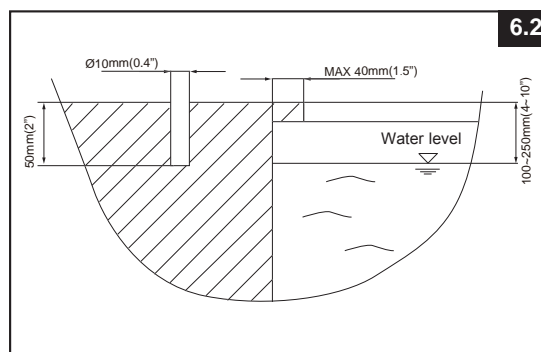
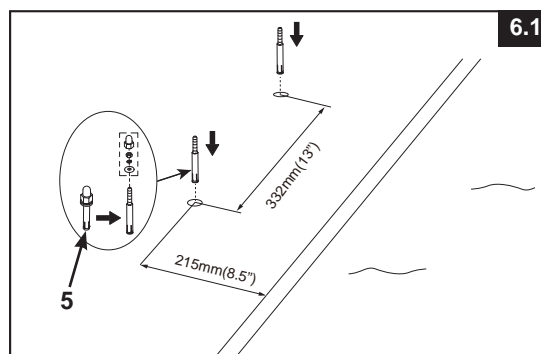
- Adjust the nut on the swimming machine until the support plate is against the pool wall and the swim-trainer unit is perfectly horizontal (see figure 5.5).



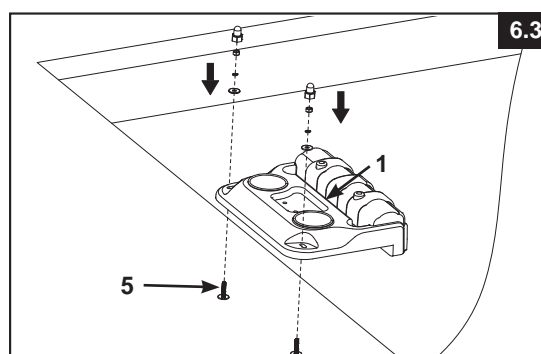
C: For In Ground Pools

1. Mounting Bracket Assembly (see figures 6.1 to 6.3):

- Make sure the top surface of the pool edge is stable, flat and level.
- Pay attention to the electrical, gas and water lines when drilling the holes.
- All screws provided must be used.
- Drill two holes on the center of the short-end side of the pool edge where the mounting bracket will be installed. Insert the in ground pool screws (5) into the holes, and make sure the screws are fully inserted (see figures 6.1 to 6.2).



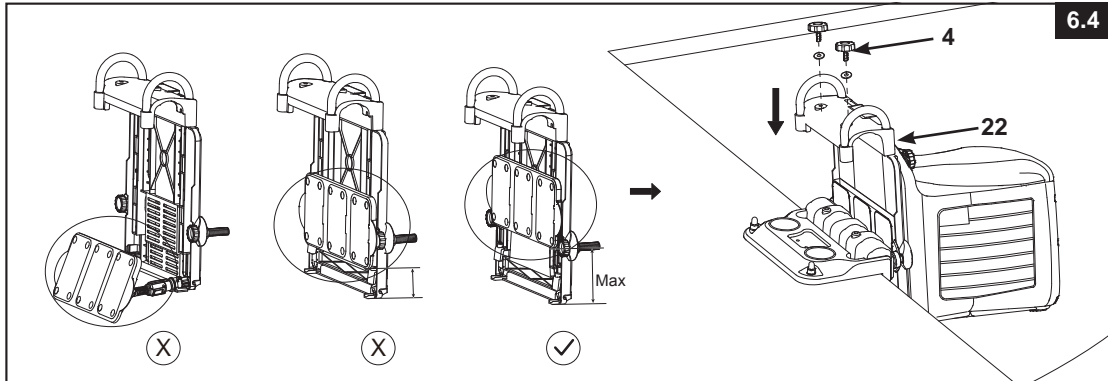
- Place the in ground pool mounting bracket (1) over the installed screws (5) and tighten the nuts securely (see figure 6.3).



SETUP INSTRUCTIONS (continued)

2. Swim-Trainer Unit Assembly (see figures 6.4 to 6.5).

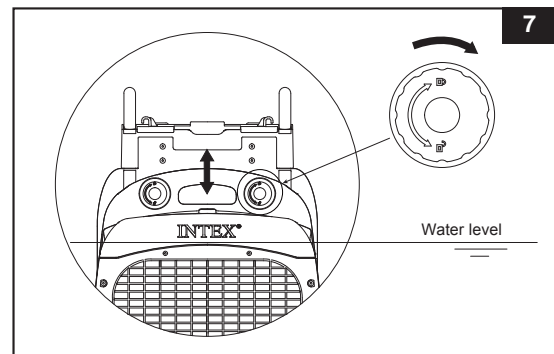
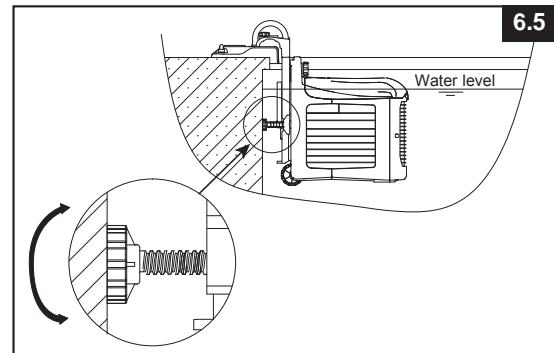
- Be sure the swim-trainer unit "support bracket" is closed before installing the swim-trainer unit onto the mounting bracket assembly (see figure 6.4).



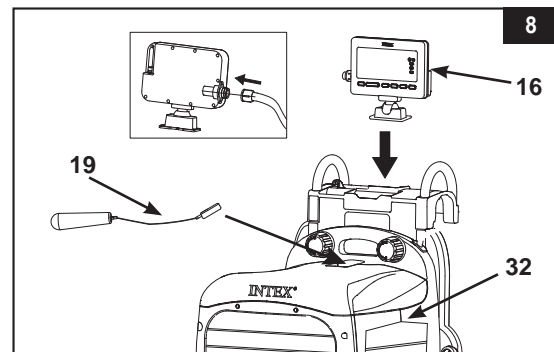
- Adjust the support nuts on the swim-trainer unit until the swim-trainer unit is horizontal with the water surface (see figure 6.5).

Swim-Trainer Unit height adjustment and display panel assembly, for all types of pools

- The swim-trainer unit must be submerged in water with only the top surface of the housing exposed. Lock the nuts in place after the height of the swim-trainer unit is adjusted (see figure 7).
- Attach the display panel (16) onto the swim-trainer unit mounting bracket. Connect the display cable plug to the display panel receptacle. Tighten up the display cable collar nut (see figure 8) by hand. Make sure the display cable plug is firmly attached and the collar nut is securely tightened.



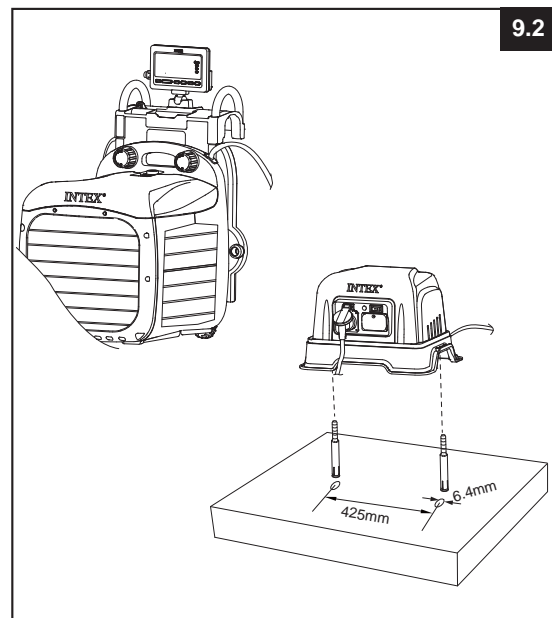
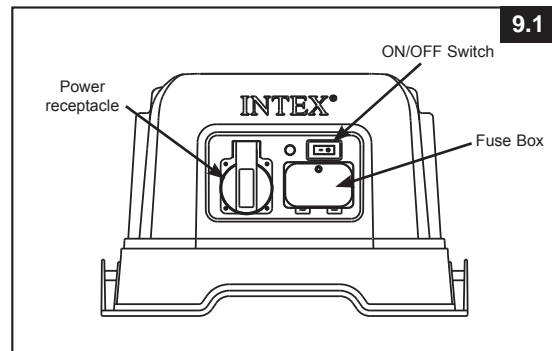
- Place the flat magnetic end of the emergency stop lanyard (19) on the swim-trainer unit (32) housing in order to activate the unit (see figure 8). **IMPORTANT:** During an emergency situation, pull the emergency stop lanyard handle, the unit will stop and the display panel will go blank.



SETUP INSTRUCTIONS (continued)

Connecting the swim-trainer unit to the transformer (see figures 9.1 to 9.2).

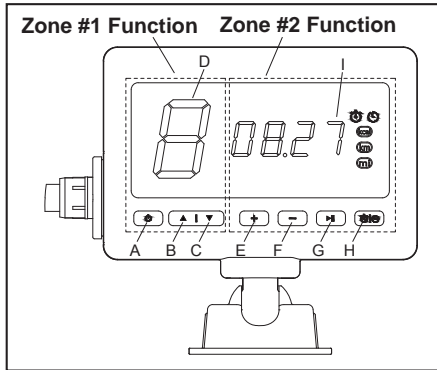
1. Be sure the transformer (2) switch is OFF, connect the transformer cable to a grounded electrical outlet.
2. Transformer must be fixed to a solid, level ground or base. Connect the swim-trainer unit power cable plug into the transformer power receptacle. Be sure the plug collar is securely tightened (see figure 9.1 to 9.2).
3. Position the transformer 2m or more away from the pool, so as to prevent children from climbing on it and accessing the pool.
4. Test the GFCI or RCD before use:
 - a) Press the "RESET" button. The indicator on the RCD should be "ON".
 - b) Press the "TEST" button. The indicator on the RCD should be "OFF".
 - c) Press the "RESET" button again to start using the product.
 - d) Do not use the product if the test failed. Contact a qualified electrician to inspect the electrical outlet socket.
5. Turn the transformer switch ON.



NOTE: To reactivate the swim-trainer unit after the emergency stop lanyard is pulled, replace the emergency stop lanyard back into the swim-trainer unit, unplugged and re-plugged the power cable from the transformer.

OPERATION INSTRUCTIONS

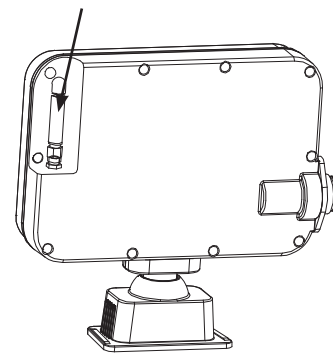
Display Panel Function



Zone #1 Function

- A: On/Off Button
- B: Speed Increase Button
- C: Speed Decrease Button
- D: Speed Setting Display

Antenna



A: On/Off Button: Once the swim-trainer unit is connected to the transformer and the transformer turned ON, use this button to activate the system. The LED panel will show the default speed setting once activated.



B/C: Speed Adjustment Buttons: Press to increase or decrease the speed setting. **NOTE:** The default speed is 3; speed adjustment ranges from 1 to 8.



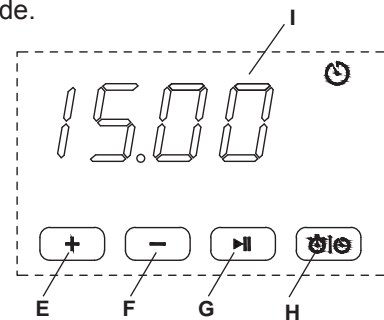
D: Speed Setting Display: Once activated the system displays the swim-trainer unit speed automatically.

Zone #2 Function

H: Toggle button between **Timer** “🕒” and **Counter** “⌚” Mode.

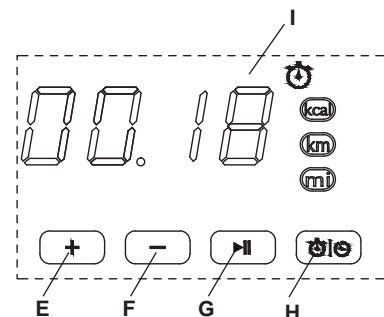
Timer Mode: Allows the user to program the duration of the swimming time (in minutes). Once the time is reached, the machine will stop. Maximum setting is 90 minutes.

- E: Timer Increase Button
- F: Timer Decrease
- G: Timer Review/Confirm Button
- I: Timer LED Display



Counter Mode: Tracks the duration (in minutes) or calorie (in kcal) or distance (in kilometer or mile) of the swim.

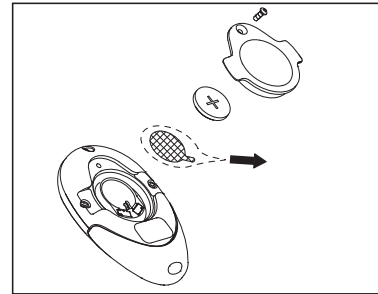
- E/F: Counter unit toggle button (minute / kcal / kilometer / mile)
- G: Counter On/Pause Button. Press for 2 sec to reset the counter.
- I: Counter LED Display



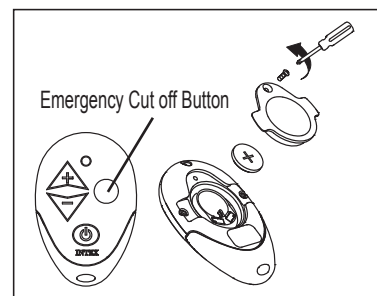
OPERATION INSTRUCTIONS (continued)

Remote Control:

1. Remove the insulation material under the battery.
Battery type (included): CR2032. Be sure the battery cover is securely attached.



2. Place the remote control in a reachable location (on top of the horizontal pool frame). The back of the remote control is magnetized".



Note: In an emergency situation, simply press the "emergency cut off" button to shut off the system completely, the indicator light inside the remote control housing will light up and the display panel will indicate "C".

MAINTENANCE

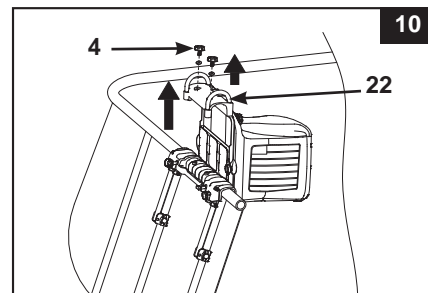
- Check and make sure all screws are securely tightened on a regular basis.
- When not in use, fold the display panel down and cover the pool with a pool cover.

Long Term Storage and Winterization

You must disassemble and store the product indoors when the temperature drops below 0°C / 32°F or when the appliance will not be used for a long period of time.

IMPORTANT: Close the support bracket before disassembling and removing the swim-trainer unit from the mounting bracket assembly (Only for Intex Rectangular Frame Pools).

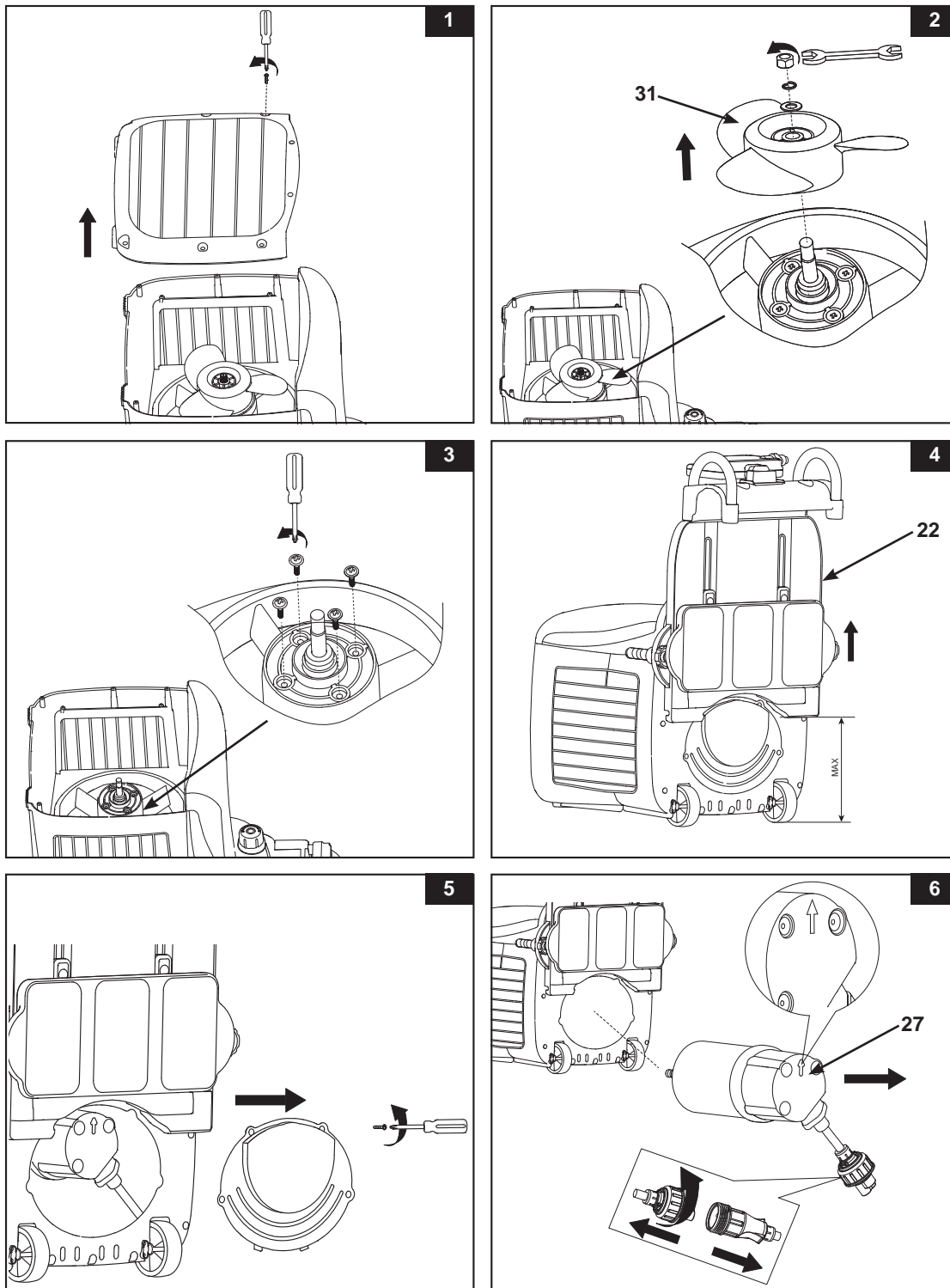
1. Turn off the transformer and unplug the power cable from the electrical outlet.
2. Disconnect the swim-trainer unit power cable from the transformer.
3. Remove the swim-trainer unit and the mounting bracket assembly from the pool by reversing the installation instructions.
4. Clean the swim-trainer unit with a garden hose, and air-dry thoroughly under the sun.
5. Store the unit and accessories in a dry place. The storage's temperature should be between 0°C / 32°F and 40°C (104°F). The original packing can be used for storage.



INTERNAL PARTS REPLACEMENTS

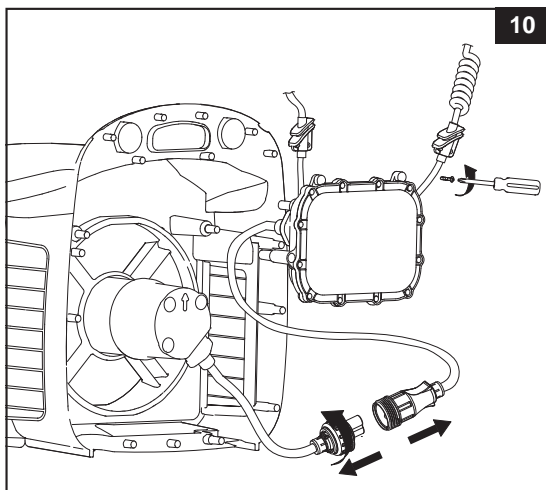
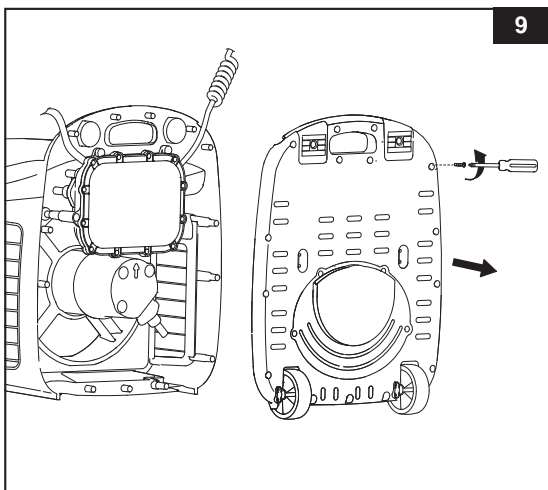
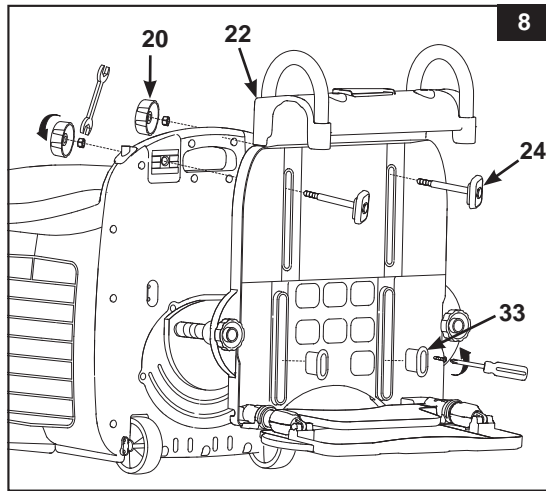
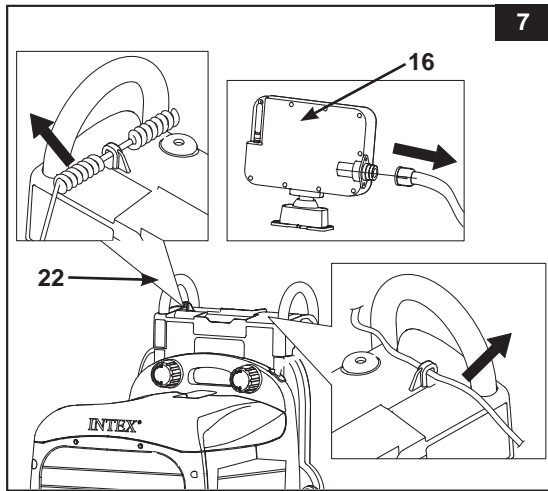
Tools required: one Philip screwdriver, one flat screwdriver and one small adjustable wrench.

A: Propeller and motor disassembly



INTERNAL PARTS REPLACEMENTS (continued)

B: Swim-trainer unit bracket and circuitry box disassembly



TROUBLESHOOTING GUIDE

LED PANEL CODE	PROBLEM	SOLUTION
E	<ul style="list-style-type: none"> The maximum operating time (90 minutes) has finished under the same set mode. 	<ul style="list-style-type: none"> It's normal. Turn off and unplug the unit. Then plug the RCD/GFCI back and restart all back again.
C	<ul style="list-style-type: none"> Low water level. swim-trainer unit is not fully immersed in the water. Remote control is in an emergency cut off situation. Household voltage is too low. 	<ul style="list-style-type: none"> Fill the pool with water up to correct water level (see pool owner's manual). Make sure the device is under the water. It's normal. Turn off the transformer for 1 minute, then plug in. Check the voltage is within the range stated on the device housing.
H	<ul style="list-style-type: none"> Household voltage is too heigh. Clogged motor impeller 	<ul style="list-style-type: none"> Check the voltage is within the range stated on the device housing Turn off the power, check and clean the motor impeller
L	<ul style="list-style-type: none"> Water temperature is around 35°C (95°F) 	<ul style="list-style-type: none"> Turn off and unplug the unit. When the water has cooled down, plug the RCD/GFCI back and restart all over again.
P	<ul style="list-style-type: none"> Operating time is too long Water temperature is around 35°C (95°F) 	<ul style="list-style-type: none"> Turn off and unplug the unit, after 30 minutes later plug the RCD/GFCI back and restart all over again. Turn off and unplug the unit. When the water has cooled down, plug the RCD/GFCI back and restart all over again.

TROUBLESHOOTING GUIDE (continued)

PROBLEM	CAUSE	SOLUTION
Mounting bracket can't be assembled with the in ground pool	<ul style="list-style-type: none"> The ground is not concrete, i.e., it is asphalt, lawn or earth. The screws are not fully inserted in the drill holes. 	<ul style="list-style-type: none"> Assembly the mounting bracket on the cement ground. Check and tighten the screws securely.
swim-trainer unit is not horizontal with the water surface	<ul style="list-style-type: none"> The support bracket is not opened. Adjust the support nuts on the swim-trainer unit. 	<ul style="list-style-type: none"> Open and adjust the support bracket. See "Setup Instructions". Adjust the support nuts on the swim-trainer unit.
No output from the transformer	<ul style="list-style-type: none"> swim-trainer unit will hibernate if no operating more than 1 hour. The transformer fuse broken. Motor too hot and overload protection is shut off. 	<ul style="list-style-type: none"> Turn off the transformer, waiting 2 minutes then turn on again. Replace the transformer fuse. Let the motor cool down and restart again.
No LED display	<ul style="list-style-type: none"> The transformer is unplugged or off. The transformer is not connected with swim-trainer unit. Display panel cord is loose. Display panel failure. Emergency stop lanyard is put wrong place. 	<ul style="list-style-type: none"> Ensure the transformer is plugged and switched on. Connect the transformer with swim-trainer unit. Ensure that the display cord is plugged firmly into the cell housing receptacle. Contact Intex Service Center. Put the emergency stop lanyard on correct place. See "Setup Instructions".
Abnormal display / buttons not working	<ul style="list-style-type: none"> Display panel cord is loose. Display panel failure. 	<ul style="list-style-type: none"> Ensure the display cable is plugged firmly into the display panel receptacle. Contact Intex Service Center.
Too noisy / Jet water is weak or shaking	<ul style="list-style-type: none"> Swim-trainer unit is not fully immersed in the water. The motor impeller is broken. swim-trainer unit components not securely connected or in place. 	<ul style="list-style-type: none"> Make sure the device is under the water. Turn off and replace the motor impeller. Check all components, especially the support bracket. See "Setup Instructions".
Remote Control out of control	<ul style="list-style-type: none"> The battery is on low power. 	<ul style="list-style-type: none"> Replace the remote control battery. See "Operating Installations".

LIMITED WARRANTY

Your Hydro Flow™ Swim Trainer has been manufactured using the highest quality materials and workmanship. All Intex products have been inspected and found free of defects prior to leaving the factory. This Limited Warranty applies only to the Hydro Flow™ Swim Trainer and accessories listed below.

The provisions of this Limited Warranty apply only to the original purchaser and is not transferable. This Limited Warranty is valid for the period noted below from the date of the initial retail purchase. Keep your original sales receipt with this manual, as proof of purchase will be required and must accompany warranty claims or the Limited Warranty is invalid.

Hydro Flow™ Swim Trainer Warranty – 2 Years

If a manufacturing defect is found within the periods noted above, please contact the appropriate Intex Service Center listed in the separate "Authorized Service Centers" sheet. The Service Center will determine the validity of the claim. If the Service Center directs you to return the product, please carefully package the product and send with shipping and insurance prepaid to the Service Center. Upon receipt of the returned product, the Intex Service Center will inspect the item and determine the validity of the claim. If the provisions of this warranty cover the item, the item will be repaired or replaced at no charge.

Any and all disputes regarding the provisions of this Limited Warranty shall be brought before an informal dispute settlement board and unless and until the provisions of these paragraphs are carried forth, no civil action may be instituted. The methods and procedures of this settlement board shall be subject to the rules and regulations set forth by the Federal Trade Commission (F.T.C.). IMPLIED WARRANTIES ARE LIMITED TO THE TERMS OF THIS WARRANTY AND IN NO EVENT SHALL INTEX, THEIR AUTHORIZED AGENTS OR EMPLOYEES BE LIABLE TO THE BUYER OR ANY OTHER PARTY FOR DIRECT OR CONSEQUENTIAL DAMAGES OR LIABILITIES. Some states, or jurisdictions do not allow the exclusion or limitation of incidental or consequential damages, so the above limitation or exclusion may not apply to you.

This Limited Warranty does not apply if the products are subject to negligence, abnormal use or operation, accident, improper operation, improper voltage or current contrary to operating instructions, or to damage by circumstances beyond Intex's control, including but not limited to, ordinary wear and tear and damage caused by exposure to fire, flood, freezing, rain, or other external environmental forces. This Limited Warranty applies only to those parts and components sold by Intex. The Limited Warranty does not cover unauthorized alterations, repairs or disassembly by anyone other than Intex Service Center personnel.

DO NOT GO BACK TO THE PLACE OF PURCHASE FOR RETURN OR REPLACEMENT. IF YOU ARE MISSING PARTS OR NEED ASSISTANCE, PLEASE CALL US TOLL-FREE (FOR U.S. AND CANADIAN RESIDENTS): 1-800-234-6839 OR VISIT OUR WEBSITE: WWW.INTEXSTORE.COM.

Proof of Purchase must accompany all returns or the warranty claim will be invalid.